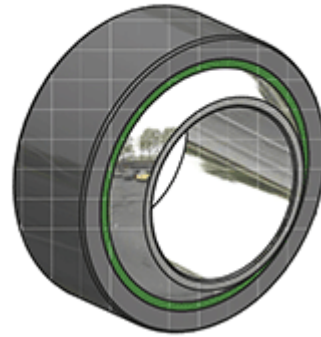
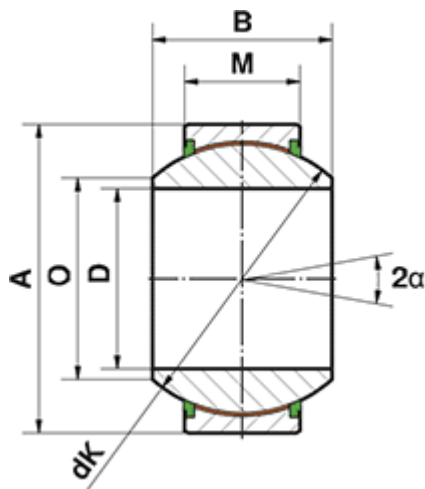


Article number: 03446260

Description: Fluro Heavy Duty Spherical Plain Bearing GE 260 GW-2RS
Hole Ø260

Note: 260

Measures



	= -	Dynamic load C (kN) = 10050
	= -	M = 120
	= -	O = 283.6
A	= 400	Static load C0 (kN) = 16750
a (degrees)	= 15	Weight (g) = 81800
B	= 205	
D	= 260	
dK	= 350	